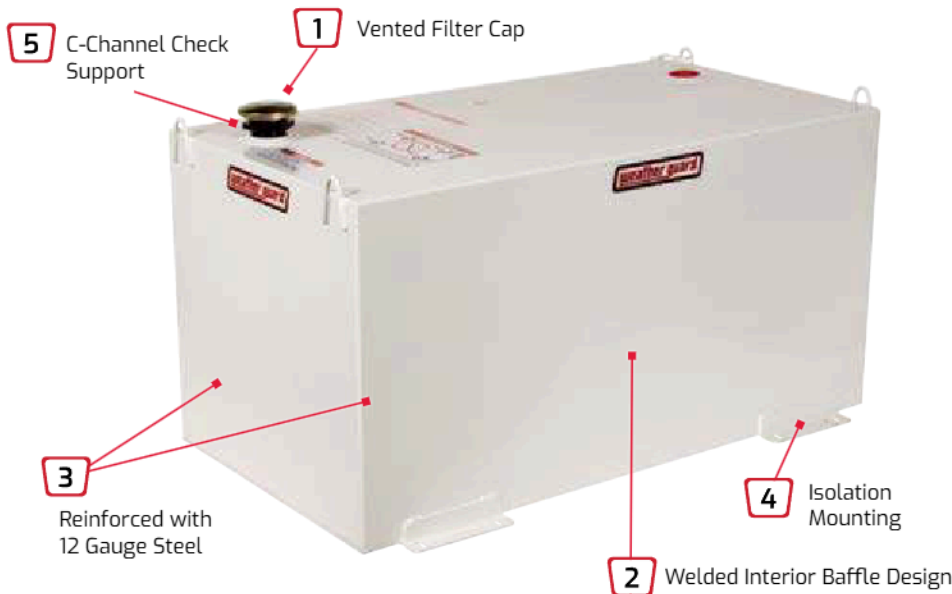


IN-BED STORAGE TRANSFER TANKS



TRANSFER TANK KEY FEATURES

- 1** Vented filler cap
prevents excessive pressure build-up
- 2** Welded Interior Baffle Design
reduces fuel movement
- 3** Reinforced with 12 gauge steel
except 359 model does not require reinforcement for optimal performance
- 4** Isolation mounting reduces road vibration
unparalleled quality
- 5** C-channel check support
for trouble-free operation
- 6** Limited Lifetime Warranty
for peace of mind

**LIFETIME LIMITED
WARRANTY**

FOR TRANSPORTING DIESEL FUEL

WEATHER GUARD® Transfer tanks offer a safer mode of transporting diesel fuel to your jobsite and beyond. L-shaped tanks are designed to be used with Gull Wing Boxes and Saddle Boxes only; rectangular tanks are designed for full-size pickup trucks. Ranging in capacity from 50-110 gallons, WEATHER GUARD® Transfer Tanks feature full arc-welded, heavy 14-gauge steel construction for long-lasting durability. The interior baffle design reduces fuel movement and provides extra tank reinforcement. The lockable vented filler cap prevents excessive pressure build-up and the threaded filler neck accepts standard 2" threaded pipe. Installation is easy using the heavy-duty lifting loops and secure plate-steel flange bed mounting points. All tanks are protected with Brite White or Gloss Black ARMOR TUF® Powder Coat Finish for years of durability, and backed by a Limited Lifetime Warranty.

STEEL TRANSFER TANK 50 GAL. CAPACITY

-  350-3-02
-  350-5-02



For compact pickups. May be used in combination with WEATHER GUARD® Gull Wing and Saddle Boxes.

Product Weight: 122 Lbs. Ship Weight: 132 Lbs.

STEEL TRANSFER TANK 75 GAL. CAPACITY

-  352-3-02
-  352-5-02





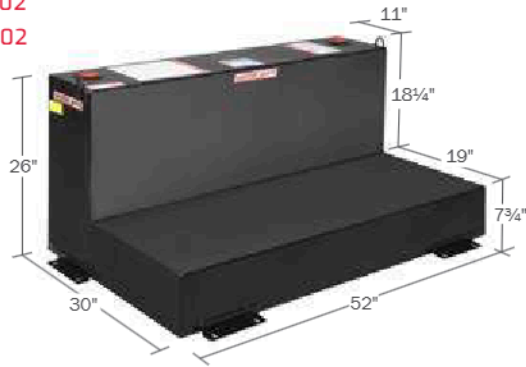
For full-size short-bed pickups. May be used in combination with WEATHER GUARD® Gull Wing and Saddle Boxes.

Product Weight: 168 Lbs. Ship Weight: 180 Lbs.

IN-BED STORAGE TRANSFER TANKS

STEEL TRANSFER TANK 90 GAL. CAPACITY

-  354-3-02
-  354-5-02



For full-size pickups. May be used in combination with WEATHER GUARD® Gull Wing and Saddle Boxes.
Product Weight: 196 Lbs. Ship Weight: 208 Lbs.



STEEL TRANSFER TANK 100 GAL. CAPACITY

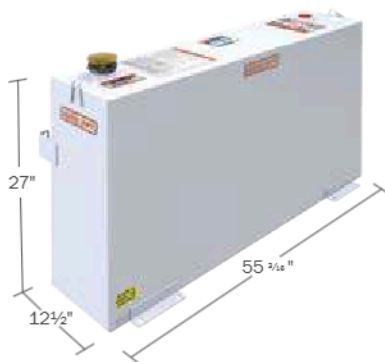
-  358-3-02
-  358-5-02



For full-size pickups.
Product Weight: 168 Lbs. Ship Weight: 178 Lbs.

STEEL TRANSFER TANK 75 GAL. CAPACITY

-  359-3-02
-  359-5-02



Designed for most full-size pickups.
Product Weight: 124 Lbs. Ship Weight: 136 Lbs.

STEEL TRANSFER TANK 110 GAL. CAPACITY

-  362-3-02
-  362-5-02



For full-size pickups. May be used in combination with WEATHER GUARD® Gull Wing and Saddle Boxes.
Product Weight: 220 Lbs. Ship Weight: 234 Lbs.