



Interchangeable Truck Body System

Subsidiary of Federal Signal Corporation

DUMP BODY



FEATURES

- High quality zinc prime & powder coated finish
- Ramp gate for drive-on convenience
- Accepts underbody salt spreader
- 12" side height & 24" tailgate height
- Optional extended board pockets
- Standard 6" steel dump body ground rollers
- Custom options available

FIND A DEALER IN YOUR AREA

SWITCHNGO.COM/DEALER



Coal Chute
(optional)



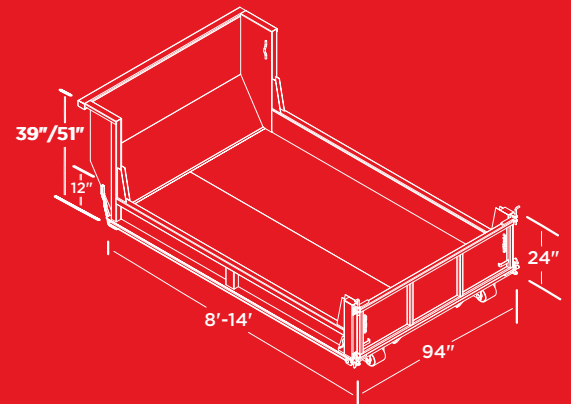
18" Cab Shield
(optional)



Double Acting Tailgate

SPECIFICATIONS

	STANDARD DUTY	HEAVY DUTY
FLOOR	10 GA STEEL	3/16" STEEL
CROSSMEMBERS	3" STRUCTURAL CHANNEL 16" ON CENTER	3" STRUCTURAL CHANNEL 12" ON CENTER
SIDE	12 GA STEEL	10 GA STEEL
TOP RAIL	3" X 3" X 1/8" TUBING	
BULKHEAD	INSIDE HEIGHT 39", 44", OR 51"	
TAILGATE	2" X 2" X 3/16" TUBING & 10 GA SHEET	
OPTIONS	DROP DOWN SIDES / 18" CAB SHIELD / COAL CHUTE / WELDED D-RINGS	



Specifications are subject to change without notice. For warranty information on this or any other Switch-N-Go® product please refer switchngo.com/warranty.