

LIFTMOORE

TRUCK MOUNTED CRANES

Building Quality Since 1961



7810 Pinemont Dr.
Houston, Texas 77040
713-688-5533
FAX: 713-688-6324
www.liftmoore.com



Up to 10,000 lb. Capacity Cranes

Craftsmanship
Dependability
Quality

LIFTMOORE PRODUCTS

Since 1961 Liftmoore has built electric and hydraulic cranes with the features you need. Liftmoore manufacturers a complete line of cranes with capacities ranging from 800 to 10,000 Lbs. and with moment ratings from 4500 to 72,000 Ft.-Lbs. Cranes can be manual or power rotation and either hydraulic or 12 VDC electric powered. Boom lengths to 30 Ft. are offered with either power or manual extension.

Controls offered can be either remote wire pendant, wireless or a combination of both.

Crane accessories manufactured include outriggers, jackstands, boom rests and pedestals.

Typical applications include:

- Heavy Equipment Field Service
- Municipal Water and Wastewater
- Propane Tank Setting
- Railroad Maintenance
- Oil Field maintenance
- Monument Companies
- Mining Companies

We can help you select the proper crane for your application with the following information.

CRANE SELECTION

Selecting the correct crane for your application is critical to your successful experience. There are three factors that must be considered:

1. How much weight will be lifted?

Do not use only crane maximum capacity as the determining factor. Allow a safety factor for extra weight. Remember that slings, blocks and any other object attached to the wire line needs to be included in the weight to be lifted.

2. How far out from the center of rotation is the load?

The minimum moment rating for the crane you need is determined by multiplying the maximum reach in feet times the maximum weight in Lbs. This is the best and most accurate method to determine the size of crane required for your work. Always add a safety factor as the maximum load will probably change over the years.

3. How often will a lift be made?

This determines whether an electric or hydraulic crane should be ordered. The duty cycle of electric cranes should be under five minutes in thirty. Depending upon reservoir size and load a hydraulic crane's operating time is nearly unlimited.

WHY MOMENT RATING IS IMPORTANT

Moment Rating defines the weight a crane can lift at any given distance (the load radius). Many purchasing decisions are made based solely on the maximum capacity of a crane. This can be a mistake as a crane is normally only able to pick up the maximum capacity very close to its center of rotation.

The chart below shows the effect of increasing load radius on the crane capacity for several moment ratings.

NOTE THE RAPID DECLINE OF CAPACITY AS THE DISTANCE INCREASES.

TYPICAL CRANE MAXIMUM WEIGHT, MOMENT RATING AND THE EFFECT OF MOMENT RATING ON CRANE CAPACITY - LBS.

Maximum Lift Capacity	Moment Rating Ft.-Lbs.	Load Radius - Feet							
		3'	5'	7'	9'	11'	15'	20'	30'
800	4,500	800	800						
2,000	6,500	2,000	1,300	929	772				
3,200	10,000	3,200	2,000	1,428	1,111	909	666		
3,600	12,000	3,600	2,400	1,714	1,333	1,090	800		
4,000	16,000	4,000	3,200	2,286	1,778	1,455	1,067	800	
5,000	25,000		5,000	3,571	2,778	2,273	1,667	1,250	
5,500	30,000		5,500	4,286	3,333	2,727	2,000	1,500	
6,000	36,000		6,000	5,143	4,000	3,273	2,400	1,800	
6,400	40,000		6,400	5,714	4,444	3,636	2,667	2,000	1,333
8,000	50,000		8,000	7,143	5,555	4,545	3,333	2,500	
10,000	60,000		10,000	8,572	6,666	5,454	4,000	3,000	2,000
10,000	72,000		10,000	10,000	8,000	6,545	4,480	3,600	2,400

HYDRAULIC CRANES



72100DXP

72,000 Ft.-Lbs. Moment Rating
10,000 Lb. Maximum Capacity
Planetary Gear Hydraulic Winch – 35 FPM line speed at 6 GPM
Unlimited Rotation
Power Boom Extension from 11 to 24 Ft.
7/16" Wire rope x 100 Ft.
Wireless Proportional Control is Standard



60100DXP

60,000 Ft.-Lbs. Moment Rating
10,000 Lb. Maximum Capacity
Planetary Gear Hydraulic Winch - 35 FPM line speed at 6 GPM
Unlimited Rotation
7/16" Wire rope x 100 Ft.
Power Boom Extension from 12 to 24 Ft.
Wireless Proportional Control is Standard



5080XP

50,000 Ft.-Lbs. Moment Rating
8,000 Lb. Maximum Capacity
Worm Gear Hydraulic Winch
Unlimited Rotation
Power Boom Extension from 10 to 16 Ft.
4 Ft. Manual Extension to 20 Ft.
3/8" Wire rope x 95 Ft.
Wireless Proportional Control is Standard



4064DXP

40,000 Ft.-Lbs. Moment Rating
6,400 Lb. Maximum Capacity
Planetary Gear Drive Winch
Unlimited Rotation
Power Boom Extension from 10 to 22 Ft.
3/8" Wire rope x 95 Ft.
Wireless Proportional Control is Standard



3055DXP

30,000 Ft.-Lbs. Moment Rating
5,500 Lb. Maximum Capacity
Planetary Gear Drive Winch
Unlimited Rotation
Power Boom Extension from 10 to 20 Ft.
Wireless Proportional Control is Standard

LIFTMOORE, INC. • HOUSTON, TEXAS

713-688-5533 • FAX: 713-688-6324 • www.liftmoore.com

HYDRAULIC CRANES



3660XP

36,000 Ft.-Lbs. Moment Rating
6,000 Lb. Maximum Capacity
Worm Gear Hydraulic Winch
Unlimited Rotation
Power Boom Extension from 10 to 16 Ft.
4 Ft. Manual Extension to 20 Ft.
3/8" Wire rope x 95 Ft.
On/Off or Proportional Control
Wireless Remote Control is Optional



2550XP

25,000 Ft.-Lbs. Moment Rating
5,000 Lb. Maximum Capacity
Worm Gear Hydraulic Winch
Unlimited Rotation
Power Boom Extension from 10 to 16 Ft.
4 Ft. Manual Extension to 20 Ft.
5/16" Wire rope x 95 Ft.
On/Off or Proportional Control
Wireless Remote Control is Optional



1640XP

16,000 Ft.-Lbs. Moment Rating
4,000 Lb. Maximum Capacity
Planetary Gear Hydraulic Winch
365 Deg. Limited Rotation
Power Boom Extension from 10 to 16 Ft.
4 Ft. Manual Extension to 20 Ft.
5/16" Wire Rope x 95 Ft.
On/Off or Proportional Control
Wireless Remote Control is Optional



1032XP

10,000 Ft.-Lbs. Moment Rating
3,200 Lb. Maximum Capacity
Planetary Gear Hydraulic Winch
365 Deg. Limited Rotation
Power Boom Extension from 7 to 11 Ft.
4 Ft. Manual Extension to 15 Ft.
1/4" Wire Rope x 62 Ft.
On/Off or Proportional Control
Wireless Remote Control is Optional

LIFTMOORE, INC. • HOUSTON, TEXAS

713-688-5533 • FAX: 713-688-6324 • www.liftmoore.com

ELECTRIC CRANES - POWER ROTATION



6036DX-22

36,000 Ft.-Lbs. Moment Rating
6,000 Lb. Maximum Capacity
Planetary Gear 12VDC Electric Winch
Unlimited Rotation
Power Boom Extension from 10 to 22 Ft.
5/16" 6 X 36 Wire rope x 90 Ft.
25 Ft. Remote Pendant
Wireless Remote Control is Optional



6036X

36,000 Ft.-Lbs. Moment Rating
6,000 Lb. Maximum Capacity
Planetary Gear 12VDC Electric Winch
Unlimited Rotation
Power Boom Extension from 10 to 16 Ft.
4 Ft. Manual Extension to 20 Ft.
5/16" 6 X 36 Wire rope x 90 Ft.
25 Ft. Remote Pendant
Wireless Remote Control is Optional



5000X

25,000 Ft.-Lbs. Moment Rating
5,000 Lb. Maximum Capacity
Planetary Gear 12VDC Electric Winch
Unlimited Rotation
Power Boom Extension from 10 to 16 Ft.
4 Ft. Manual Extension to 20 Ft.
5/16" 7 X 19 Wire rope x 90 Ft.
25 Ft. Remote Pendant
Wireless Remote Control is Optional



4000X

16,000 Ft.-Lbs. Moment Rating
4,000 Lbs. Maximum Capacity
Unlimited Rotation
Power Boom Extension 8 to 12 Ft.
Manual Extension to 16 Ft.
Optional 10 Ft. to 20 Ft. Boom
1/4" Wire Rope 75 Ft. Long

ELECTRIC CRANES - POWER ROTATION

3200

10,000 Ft.-Lbs. Moment Rating
3,200 Lbs. Maximum Capacity
Power or Manual Boom Extension 7 to 11 Ft.
Unlimited Rotation
Manual Extension to 15 Ft.
¼" Wire Rope 62 Ft. Long



3612

12,000 Ft.-Lbs. Moment Rating
3,600 Lbs. Maximum Capacity
Power Boom Extension 7 to 11 Ft.
Manual Extension to 15 Ft.
Unlimited Rotation

2700AR

8,100 Ft.-Lbs. Moment Rating
2,700 Lbs. Maximum Capacity
Manual Boom Extension 6 to 10 Ft.
Manual Extension to 14 Ft.
Unlimited Rotation
¼" Wire Rope 62 Ft. Long



206REL

6,500 Ft.-Lbs. Moment Rating
2,000 Lbs. Maximum Capacity
Manual Boom Extension 5.5 to 9 Ft.
Unlimited Rotation
3/16" Wire Rope 35 Ft. Long



LA10K

10,000 Ft.-Lbs. Moment Rating
2,000 Lb. Maximum Capacity
Power Boom Extension from 5.5 to 8.5 Ft.
Manual Extension to 11.5 Ft.
Unlimited Rotation
Boom Folds Down for Storage
Power Boom Elevation from
Stowed to +70 Degrees



LA6K

6,500 Ft.-Lbs. Moment Rating
2,000 Lbs. Maximum Capacity
Power Boom Extension 5.5 to 8.5 Ft.
Manual Extension to 11.5 Ft.
Unlimited Power Rotation
Boom Folds Vertical for Storage
Power Boom Elevation from
Stowed to +75 degrees
3/16" Wire Rope 50 Ft. Long



LIFTMOORE, INC. • HOUSTON, TEXAS

713-688-5533 • FAX: 713-688-6324 • www.liftmoore.com

ELECTRIC CRANES - MANUAL ROTATION



208

8,100 Ft.-Lbs. Moment Rating
2,000 Lbs. Maximum Capacity
Power Up Boom Elevation 0 to 75 Degrees
Manual Boom Extension 6 to 10 Ft.
Manual Extension to 14 Ft.
¼" Wire Rope 62 Ft. Long



206EL

6,500 Ft.-Lbs. Moment Rating
2,000 Lbs. Maximum Capacity
Manual Boom Extension 5.5 to 9 Ft..
3/16" Wire Rope 35 Ft



2000A

6,000 Ft.-Lbs. Moment Rating
2,000 Lbs. Maximum Capacity
Manual Boom elevation
Manual Boom Extension 5.5 to 9 Ft.
Rotates on Tapered Roller Bearings
¼" Wire Rope, 40 Ft. Long

ELECTRIC CRANES - MANUAL ROTATION



L-21

6,000 Ft. Lbs. Moment Rating
2,000 Lb. Maximum Capacity at 3 Ft.
Efficient Planetary Gear Winch driven by a Permanent Magnet Motor
Manual Boom Elevation at two positions, 20 and 45 Degrees
Boom folds Vertically
Boom Length 3 to 5 Ft., Manually Extended
Optional Boom length to 7 Ft.
3/16" Wire Rope 25 Ft. Long



L-21W

Same structure as the L-21. Includes larger winch for more wire rope capacity. Use for light duty down-hole lifting.
6,000 Ft. Lbs. Moment Rating
2,000 Lb. Maximum Capacity at 3 Ft.
Efficient Planetary Gear Winch driven by a Permanent Magnet Motor
Boom folds Vertically
Boom Length 3 to 5 Ft., Manually Extended
Optional Boom length to 7 Ft.
1/4" Wire Rope 62 Ft. Long



L-8

4,500 Lbs. Moment Rating
800 Lb. Maximum Rating
Planetary Winch for Best possible Efficiency
Permanent Magnet Motor
25 Ft. of 3/16" Galvanized Aircraft Cable
Rotates on Tapered Roller Bearings
3 to 5 Ft. Manually Extended Boom Length
Adjustable Boom Elevation from 0 to 75 Degrees
Vertically Folding Boom for Storage

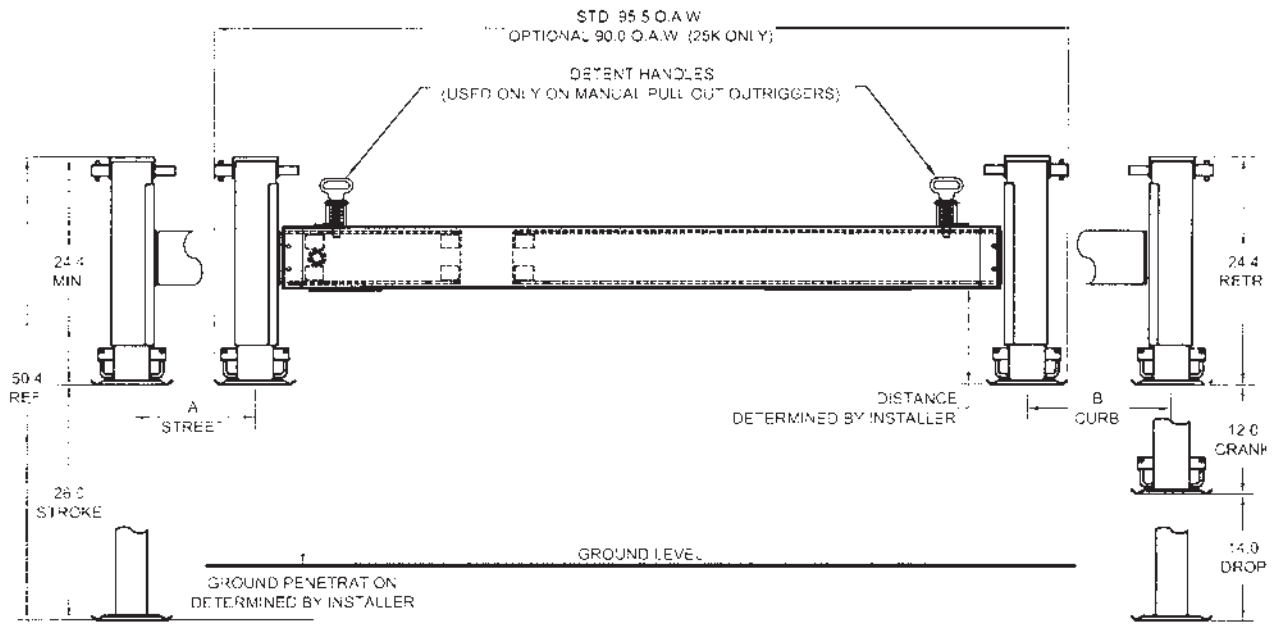
LIFTMOORE, INC. • HOUSTON, TEXAS

713-688-5533 • FAX: 713-688-6324 • www.liftmoore.com

MANUAL OUTRIGGERS

25,000 to 72,000 Ft.-Lbs. Cranes

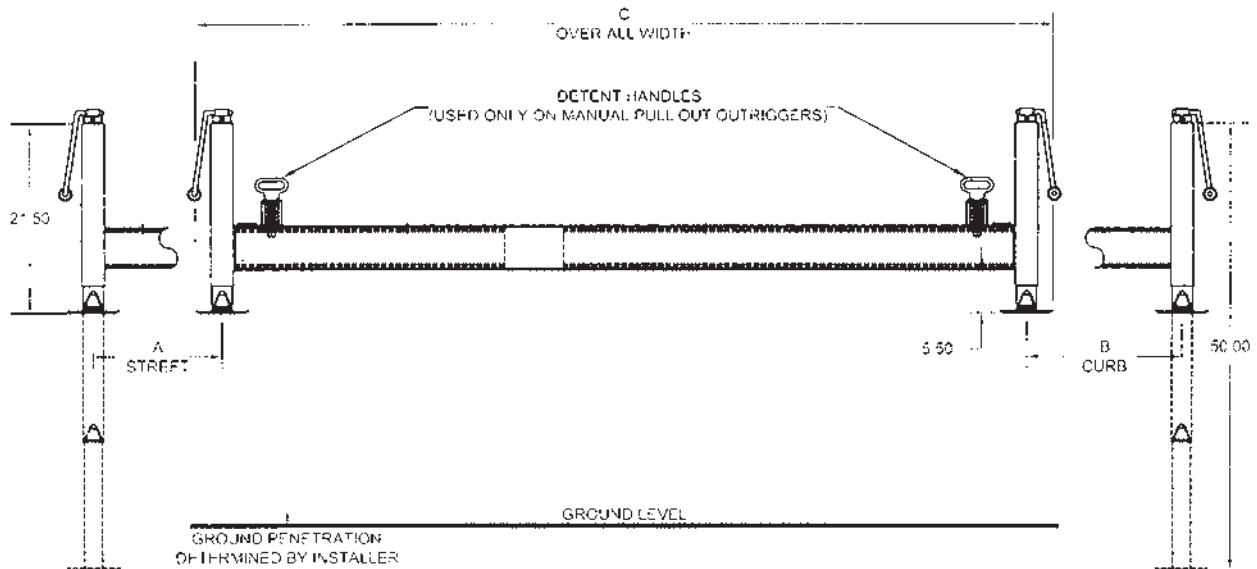
Manual pull out with crank down jacks - includes drop down section.



MODEL	DIMENSION A	DIMENSION B
STANDARD	12"	36"
EQUAL OUT	20"	20"
FIXED	0"	0"

Up to 18,000 Ft.-Lbs. Cranes

Manual pull out with crank down jacks - includes drop down section.



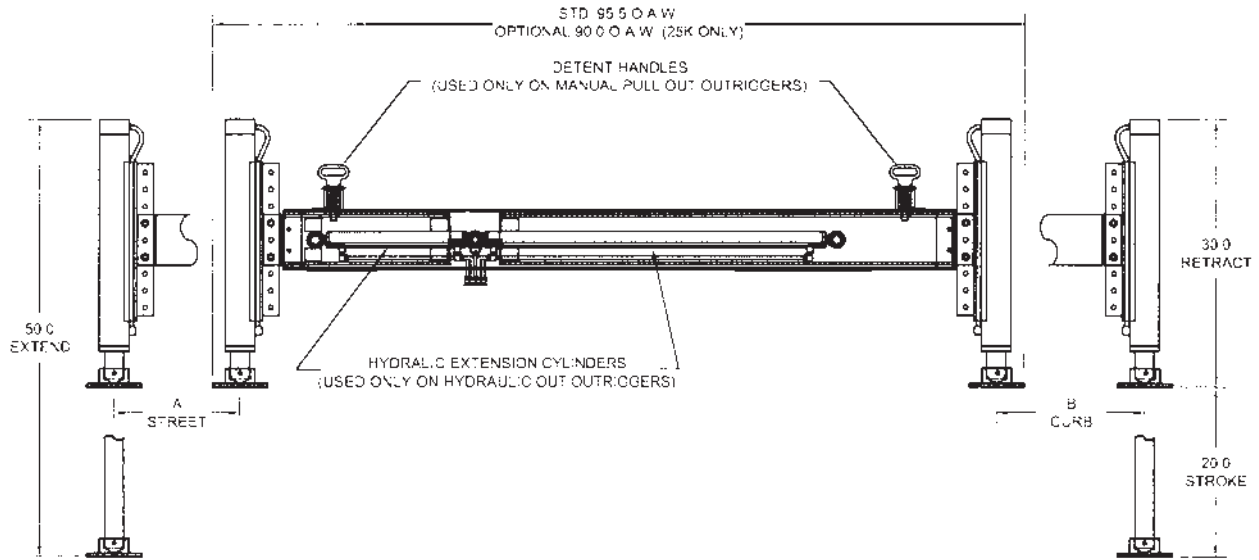
MODEL	DIMENSION A	DIMENSION B	DIMENSION C
STANDARD	15"	30"	94" OR 84"
FIXED	0"	0"	94" OR 84"

LIFTMOORE, INC. • HOUSTON, TEXAS

713-688-5533 • FAX: 713-688-6324 • www.liftmoore.com

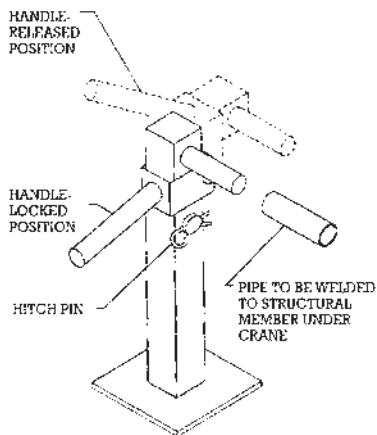
HYDRAULIC OUTRIGGERS

Outriggers are available with: manual pull out and hydraulic up/down jacks or hydraulic in/out and hydraulic up/down jacks.

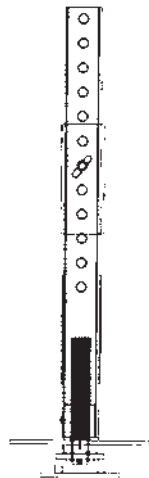


MODE:	DIMENSION A	DIMENSION B
STANDARD	12"	36"
EQUAL OUT	20"	20"
FIXED	0"	0"

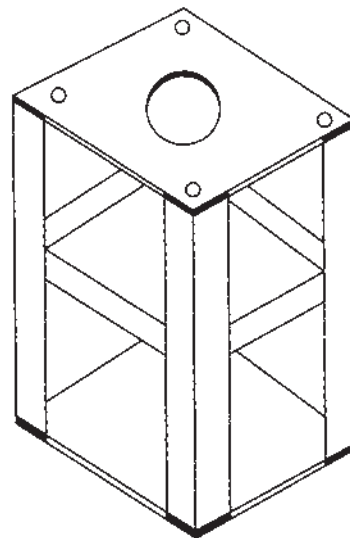
OTHER ACCESSORIES:



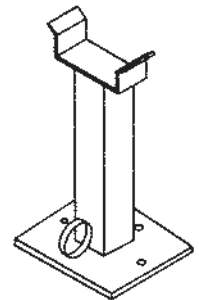
OVER-CENTER
JACK STANDS



SCREW-BASE
JACK STANDS



PEDESTALS



BOOM REST



BENEFITS OF CRANES:

REDUCE LABOR

REDUCE INJURIES

PRECISION HOISTING



Up to 10,000 lb. Capacity Cranes

LIFTMOORE, INC. • HOUSTON, TEXAS