

BED-RAIL MOUNT SOLUTIONS STEEL TRUCK RACK

STEEL TRUCK RACK KEY FEATURES

- 1 No-Drill Installation**
Installs in less than an hour (15-20 minutes to assemble/30 minutes to install)
- 2 Welded Airfoil Included**
No need to purchase an accessory, helps deflect wind
- 3 Maximum Tie Down Points**
4 areas allow for additional tie down points on rack legs for items on rack



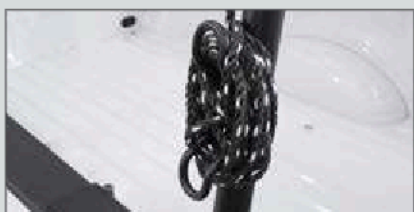
BED-RAIL MOUNT SOLUTIONS



NO-DRILL INSTALL

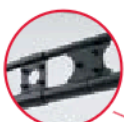


WELDED AIRFOIL INCLUDED



MAXIMUM TIE DOWN POINTS

- 3 Models - Compact Standard, Full Size Standard, Full Size Heavy Duty
- 1,000 lb. weight rated (evenly distributed) for standard racks. 1,700 lb. weight rated (evenly distributed) for heavy duty rack
- Compatible with Weather Guard boxes



Tie-Down Points
- 4 per rack



Welded Airfoil



Rear Handle Bar
- assist with getting on & off truck



Removable Rear Cross Member
- installed with locking pins

Universal for Full Size Trucks
- front legs adjust based on bed length

Matte Black Finish



Welded Tie-Down Loops
- 4 per rack



No-Drill Mounting Feet

BED-RAIL MOUNT SOLUTIONS

STEEL TRUCK RACK

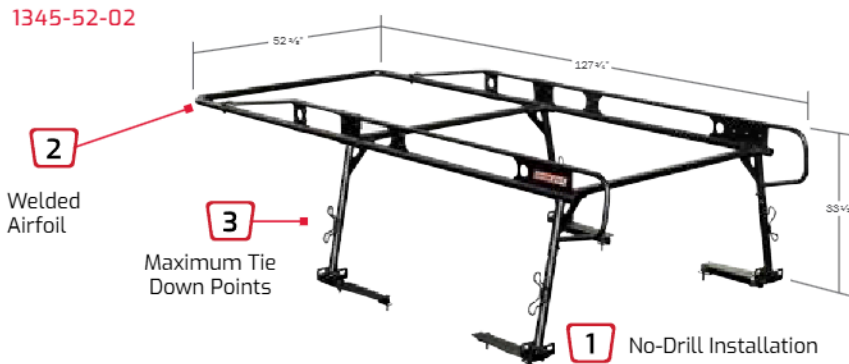
FULL SIZE STEEL TRUCK RACK

1275-52-02



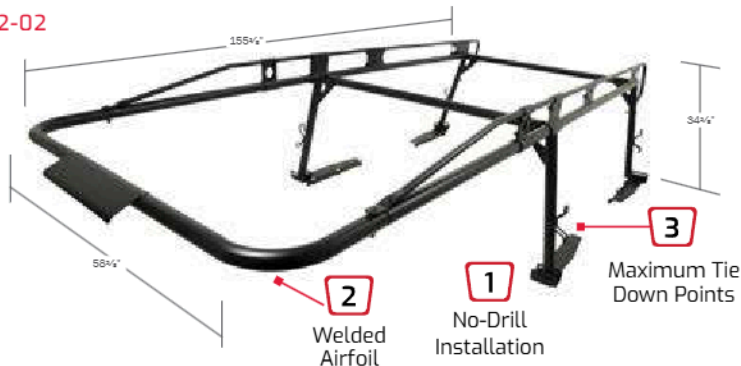
COMPACT STEEL TRUCK RACK

1345-52-02



FULL SIZE HEAVY DUTY STEEL TRUCK RACK

1175-52-02

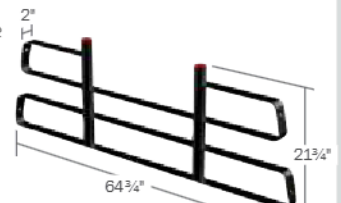


ACCESSORIES

FULL-SIZE CAB PROTECTOR

1059-52-01

Mounting points line up with pre-drilled holes on Full Size Steel Truck Rack Front legs



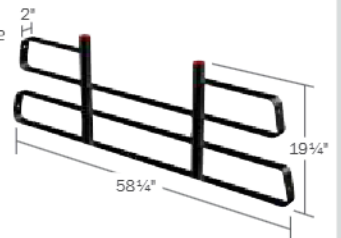
Matte Black Finish
Matches Compact Steel Truck Rack

Ship Weight: 61 Lbs.

COMPACT CAB PROTECTOR

1058-52-01

Mounting points line up with pre-drilled holes on Compact Steel Truck Rack Front legs



Matte Black Finish
Matches Compact Steel Truck Rack

Ship Weight: 61 Lbs.

FULL-SIZE ACCESSORY CROSS MEMBER

1290-52-01

No-Drill Installation utilizes locking pins (same as rear cross member on rack)



Matte Black Finish
Matches Compact Steel Truck Rack

Ship Weight: 15.5 Lbs.

COMPACT ACCESSORY CROSS MEMBER

1390-52-01

No-Drill Installation utilizes locking pins (same as rear cross member on rack)



Matte Black Finish
Matches Compact Steel Truck Rack

Ship Weight: 9.1 Lbs.

RATCHET STRAPS

1057-52-01

Works with the 1175-52-02, 1275-52-02 & 1345-52-02.



Installation requires product to be drilled into truck rack and is permanently installed to the rack.

Quick release button retracts the straps automatically for easy slowing when not in use.

Straps rated to 1,000 Lbs.

INCLUDES:

Set of 2 ratchet straps, mounting bracket, and mounting hardware

REAR ROLLING CROSS MEMBER

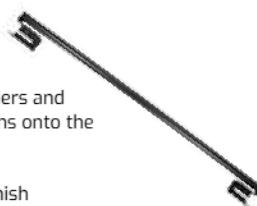
1090-52-01

1091-52-01
1092-52-01

Easily roll ladders and other long items onto the truck rack.

Matte black Finish
No-Drill Installation

Ship Weight: 10.5 lbs.



HEAVY DUTY CROSS MEMBER

1190-52-01

No-Drill Installation utilizes locking pins (same as rear cross member on rack)

Matte Black Finish
Matches Full Size Heavy Duty Steel Truck Rack

Ship Weight: 12.9 Lbs.



BED-RAIL MOUNT SOLUTIONS

STEEL SERVICE BODY RACK

KEY FEATURES

- 1 WEATHER GUARD® Truck Equipment offers the same quality and durability on our Steel Service Body Rack as on our other field-proven racks.

NOTE: Do not mount on aluminum, plastic, fiberglass or top-opening service body trucks. Mount only on steel service bodies.

STEEL SERVICE BODY RACK

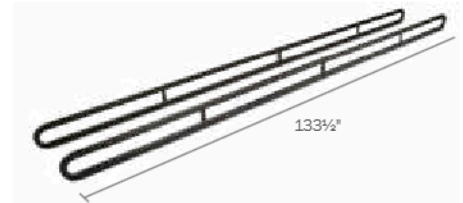
LOAD CAPACITY 1000 LBS.

1225

For full-size steel service bodies.

INCLUDES: legs, side rails and cross members.

Ship Weight: 233 Lbs.



LIFETIME LIMITED WARRANTY

ALUMINUM SERVICE BODY RACK

KEY FEATURES

- 1 The WEATHER GUARD® Aluminum Service Body Rack is designed to make loading or unloading a ladder a "one-person" job.
- 2 Front post adjusts in height and swivels to allow for easy positioning of ladder during removal or placement
- 3 Both posts have a wide mounting

NOTE: Do not mount on an aluminum plastic or fiberglass service body. Mount on steel service body only.

ALUMINUM SERVICE BODY RACK

LOAD CAPACITY 200 LBS.

1425-3

For full-size and compact service body trucks on both driver and passenger sides.

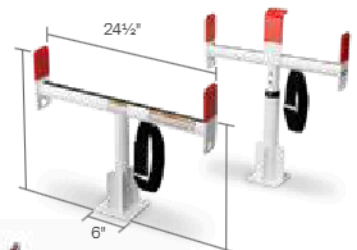
Front post adjusts 21 $\frac{1}{2}$ "-35 $\frac{1}{2}$ "

Rear post is stationary at 21 $\frac{1}{2}$ " (shown left)

Front post adjusts 16"-30"

Rear post is stationary at 16 $\frac{1}{2}$ " (shown right)

Ship Weight: 22 Lbs.



ACCESSORIES

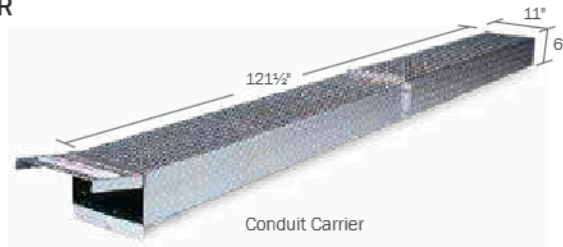
ALUMINUM CONDUIT CARRIER

Keep your conduit safe, secure and clean with our lightweight and durable Conduit Carrier.

237

Conduit Carrier

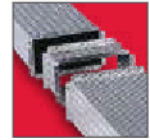
Ship Weight: 40 Lbs.



238

6" Extension

Ship Weight: 4 Lbs.



MAKE-YOUR-OWN CONDUIT CARRIER

239

PVC not included. Separately purchase a section of standard 6" PVC (9ASTM D2665) plastic drain pipe.

Coordinate the length of the PVC with the length of conduit you'll be carrying.



Ship Weight: 4 Lbs.

BED-RAIL MOUNT SOLUTIONS **WEEKENDER® TRUCK RACK**

KEY FEATURES

- 1 Easy on, easy off for that occasional need to carry a ladder or long material.
 - 2 Uprights should be removed when not in use.
 - 3 Adjustable, tubular steel pockets bolt into the side of the truck bed.
 - 4 A set-screw holds the upright in place.
 - 5 Load bar is adjustable to accommodate the varied widths of ladders.
 - 6 Constructed of 1½" x 1½", 14-gauge wall steel tubing.
 - 7 Joints are fully arc-welded.
 - 8 Mounting bracket allows WEEKENDER® Truck Rack to be installed on driver side or curb side of truck.
- If installing to an aluminum bed, please purchase the 70322 Aluminum Upfit Kit.



BED-RAIL MOUNT SOLUTIONS

**LIFETIME LIMITED
WARRANTY**

HORIZONTAL LOAD CAPACITY 250 LBS.

1450
For '95 and newer pickups, Chevy,
Dodge, Ford and Toyota Tundra.
Ship Weight: 56 Lbs.



TRUCK RACK FIT GUIDE

BED-RAIL MOUNT SOLUTIONS

			TRUCK RACKS			
			1450	1175-52-02	1275-52-02	1345-52-02
BRAND	MODEL	BED LENGTH	WEEKENDER HORIZONTAL RACK	HEAVY DUTY FULL SIZE STEEL TRUCK RACK - 1,700 LB. WEIGHT CAPACITY	FULL SIZE STEEL TRUCK RACK - 1,000 LB. WEIGHT CAPACITY	COMPACT STEEL TRUCK RACK - 1,000 LB. WEIGHT CAPACITY
CHEVROLET	COLORADO	5'				•
CHEVROLET	COLORADO	6'				•
CHEVROLET	SILVERADO 1500	5-1/2'			•	
CHEVROLET	SILVERADO 1500	6'			•	
CHEVROLET	SILVERADO 1500	8'			•	
CHEVROLET	SILVERADO 2500/3500	6'		•	•	
CHEVROLET	SILVERADO 2500/3500	8'		•	•	
DODGE RAM	1500	5-1/2'	•		•	
DODGE RAM	1500	6'	•		•	
DODGE RAM	1500	8'	•		•	
DODGE RAM	2500/3500	6'	•	•	•	
DODGE RAM	2500/3500	8'	•	•	•	
FORD	RANGER	5'	•			•
FORD	RANGER	6'	•			•
FORD	F-150	5-1/2'	•		•	
FORD	F-150	6'	•		•	
FORD	F-150	8'	•		•	
FORD	SUPER DUTY	6-1/2'	•	•	•	
FORD	SUPER DUTY	8'	•	•	•	
GMC	CANYON	5'				•
GMC	CANYON	6'				•
GMC	SIERRA 1500	5-1/2'			•	
GMC	SIERRA 1500	6'			•	
GMC	SIERRA 1500	8'			•	
GMC	SIERRA 2500/3500	6'		•	•	
GMC	SIERRA 2500/3500	8'		•	•	
NISSAN	FRONTIER	4-1/2'				•
NISSAN	FRONTIER	6'				•
NISSAN	TITAN	5-1/2'			•	
NISSAN	TITAN	6-1/2'			•	
TOYOTA	TACOMA	5'				
TOYOTA	TACOMA	6'				
TOYOTA	TUNDRA	6'	•		•	
TOYOTA	TUNDRA	8'	•		•	